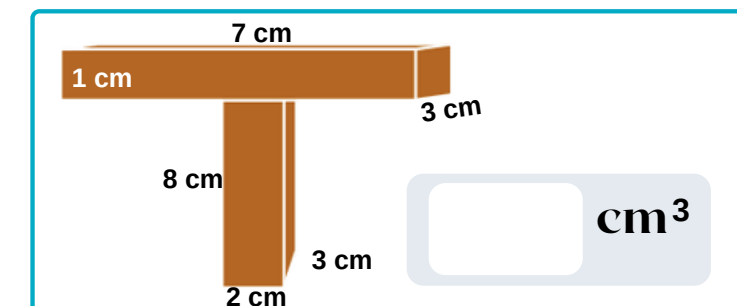
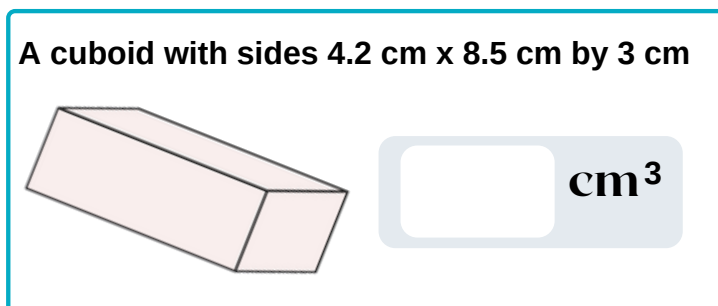
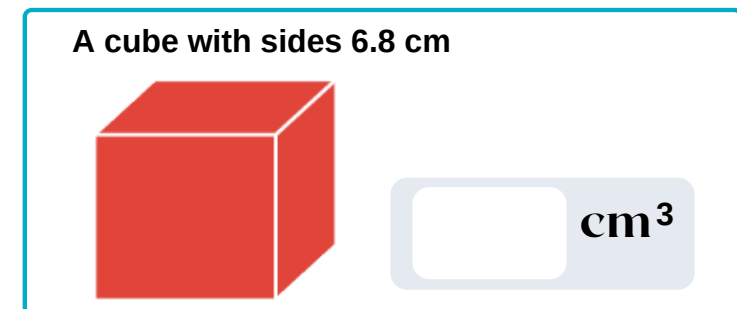
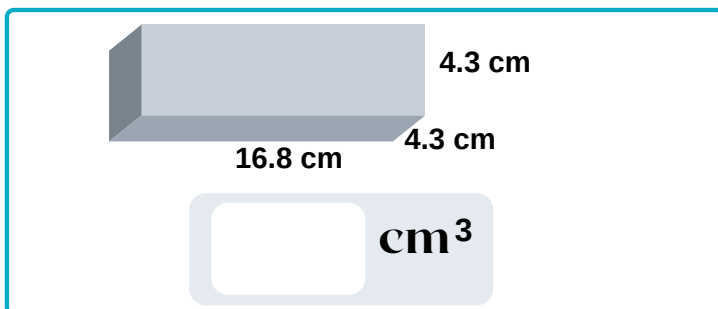
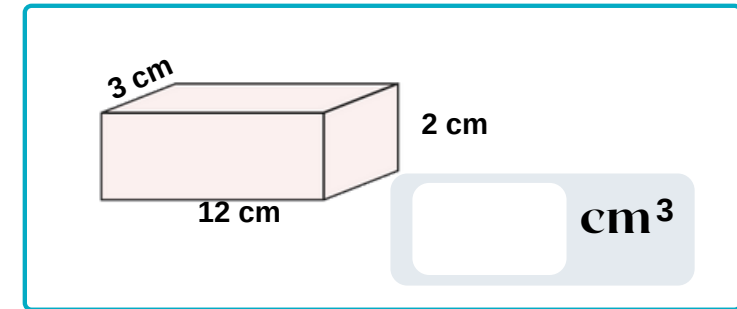
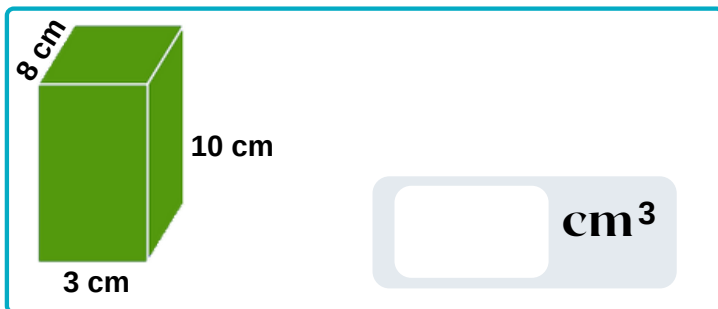
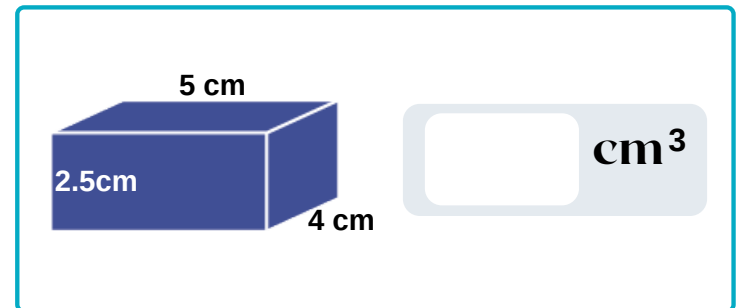
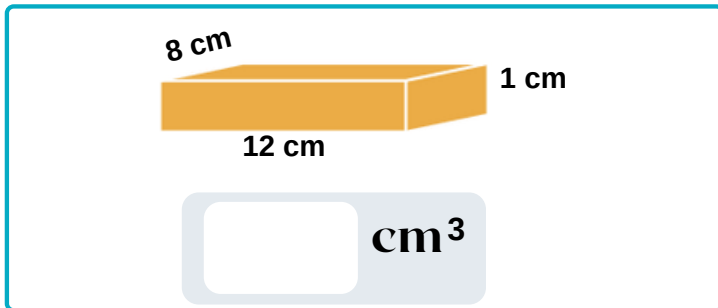
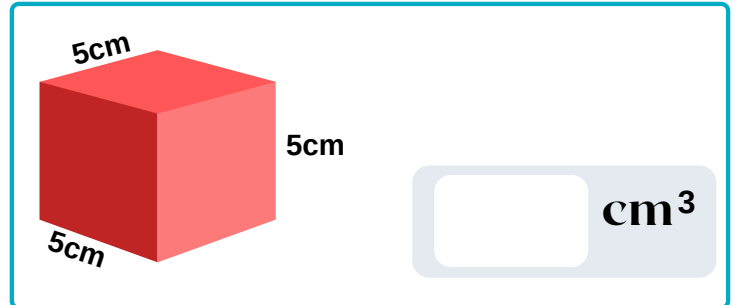
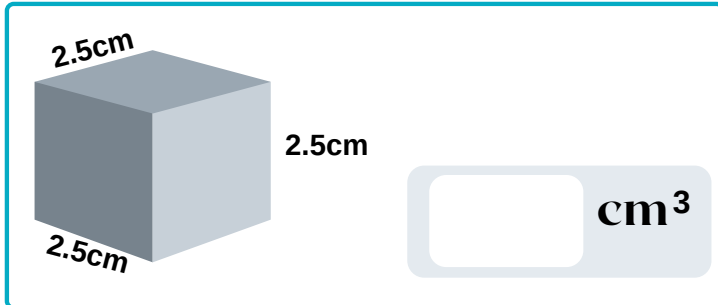


Name: _____

Date: _____

VOLUME OF CUBES AND CUBOIDS

Work out the volume of each of these cuboids.

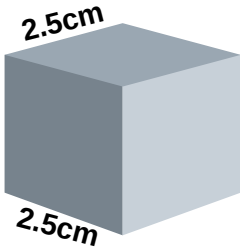


Name: _____

Date: _____

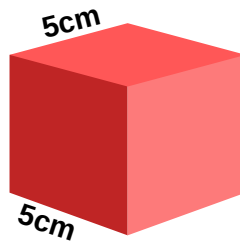
VOLUME OF CUBES AND CUBOIDS

Answers




2.5 cm
2.5 cm
2.5 cm

15.625 cm³



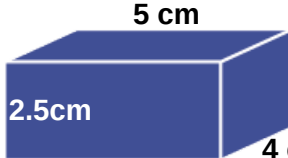
5 cm
5 cm
5 cm

125 cm³




8 cm
12 cm
1 cm

96 cm³



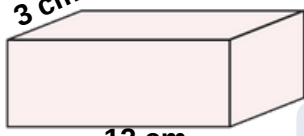
5 cm
2.5 cm
4 cm

50 cm³



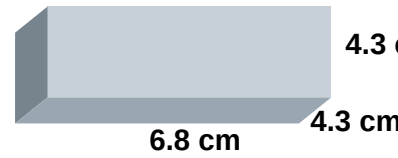
8 cm
10 cm
3 cm

240 cm³



3 cm
12 cm
2 cm


72 cm³



4.3 cm
6.8 cm
4.3 cm

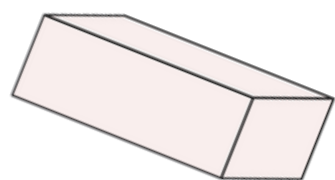
125.732 cm³

A cube with sides 6.8 cm

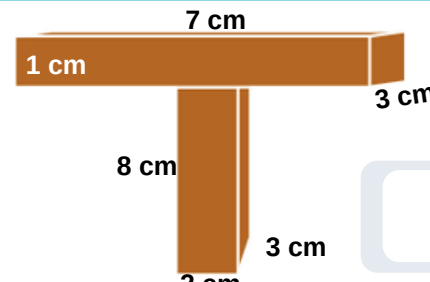


314.432 cm³

A cuboid with sides 4.2 cm by 8.5 cm by 3 cm



107.1 cm³



7 cm
1 cm
3 cm
8 cm
2 cm
3 cm

69 cm³